

**Model:** DGTEMPSCN

**Description:** Non-Contact Temperature Scanner Station

Scan QR code to visit the product page:



**NOTICE:** This Elevated Skin Temperature (EST) system should not be solely or primarily relied upon to confirm an elevated body temperature, or diagnose or exclude a diagnosis of COVID-19, or any other disease.

### **Operating Instructions for Digital Signage**

Note: Before using the product, please read the instructions carefully!

Do not attempt to disassemble this product. If the product does not work properly, please call our Customer Service Department at 1-844-221-3393.

# NOTICE

1. This Elevated Skin Temperature (EST) system should not be solely or primarily relied upon to confirm an elevated body temperature, or diagnose or exclude a diagnosis of COVID-19, or any other disease.
2. D2G Group does not advertise this device for use in the medical industry or for medical purposes.
3. This device measures surface skin temperature, which is usually lower than a temperature measured orally.
4. Body temperature in the context of use should be confirmed with secondary evaluation methods, such as an NCIT or clinical grade contact thermometer.
5. This device should only be used as the first line of screening and any abnormalities above the normal temperature readings should be tested by a secondary device to confirm an accurate temperature reading.
6. Public health officials or medical professionals, should determine the significance of any reading based on the elevated body temperature measurement from this device.
7. This device should be used to measure only one subject's temperature at a time.
8. This device works effectively only when used in the proper environment, is set-up properly and operated according to the instructions.
9. Preparing the area correctly for accurate use:
  - Room temperature should be 68-76 °F (20-24 °C) and relative humidity 10-50 percent.
  - Avoid reflective backgrounds (for example, glass, mirrors, metallic surfaces) to minimize reflected infrared radiation.
  - Use in a room with no draft (movement of air), out of direct sunlight and away from radiant heat (for example, portable heaters, electrical sources)
  - Avoid direct placement in strong lighting (for example: incandescent, halogen and quartz tungsten halogen light bulbs).

**This device complies with FDA Enforcement Policy for Telethermographic Systems During the Coronavirus Disease 2019 (COVID-19) Public Health Emergency and is not FDA cleared.**

# Contents

<b>Features .....</b>	<b>3</b>
<b>Safety Warnings and Precautions .....</b>	<b>3</b>
<b>Assembly and Connection .....</b>	<b>5</b>
Packing List.....	5
Interfaces .....	6
Steps for Assembly.....	6
<b>Description of Basic Operation .....</b>	<b>7</b>
Power on/off.....	7
Launch Screen.....	7
Screen displays after power .....	7
Temperature measuring interface.....	8
Data interface.....	8
Parameter setting interface .....	9
<b>Automatic Hand Sanitizer Dispenser.....</b>	<b>10</b>
Open the front cover.....	10
Part name.....	10
Battery installation.....	11
Replace hand sanitizer .....	11
Indicator status prompt .....	12
<b>Technical Specifications.....</b>	<b>13</b>
<b>Troubleshooting.....</b>	<b>14</b>
<b>Cleaning and Maintenance.....</b>	<b>14</b>
<b>Names and Contents of Toxic and Hazardous Substances or Elements in the Product.....</b>	<b>15</b>

## Features

1. Embedded Linux operating system and unique UI design bring you more convenient operation.
2. Accurate temperature measurement, high temperature alarm, voice broadcast, non-contact design.
3. Intelligent counting function can automatically count the number of people passing through and the number of alarms.
4. Integrated hand sanitizer dispenser provides the essential cleansing solution to your guests and employees.

## Safety Warnings and Precautions





Thank you for purchasing the wrist temperature scanner + hand sanitizer dispenser from Displays2go. We have considered the factors to ensure personal safety in product design and have tested rigorously at the factory.

In order to safely use, maximize performance of the unit and extend the life of the product, please read and follow all instructions carefully before using the product.

Keep the instructions for future reference.

**We strongly recommend using a surge protector, or a power strip with internal circuit breaker to prevent damages to the device.**

### Symbol Legends:


-  **Warning: May cause personal injury or death**
-  **The operation is prohibited**
-  **Caution: May cause damage or property loss**
-  **The operation must be executed**

### If any of the following occurs:

- Power outage or instable voltage.
- Abnormal sound or smell from the unit.
- AC power cord is damaged.
- Device is damaged due to drop, knock or impact.
- Any liquid or foreign matters fall into the enclosure.



**Turn off the Device immediately, pull out the plug from the power outlet, and ask the authorized personnel for maintenance timely.**

 **If coal gas or other flammable gas leaks, do not pull out the plug of the device or other electrical appliances; instead, turn off the gas valve immediately, and open the doors and windows quickly.**

 **WARNING**

- ⊘ ● Do not use power supply other than AC 110V, 60Hz.
- Cut off the power supply before connecting or disconnecting any cables.
- Do not place the device on any instable positions, or else it may be damaged or cause fire.
- Do not place the device in the positions such as:
  1. The environment subject to direct strong sunlight, moisture, extreme temperature or too much dust;
  2. The environment with flammable or explosive materials;
  3. The environment with flammable or corrosive gases;
- Do not use damaged or inappropriate power outlets, and ensure that the plugs and outlets contact properly.
- Do not let dust or metal deposits adhere to the plugs and outlets.
- Do not damage the power cords:
  1. Do not modify the power cords;
  2. Do not place heavy objects on the power cords;
  3. Keep the power cords away from heat source;
  4. Do not pull the cord to remove the plug.
- Do not connect too many plugs to one outlet in parallel, or else it may cause fire due to excessive power consumption.
- Do not approach the device with open flame (e.g. a lighted candle), or else it may cause electric shock or fire.
- Do not put any sharp objects, metal or liquid into the vents or let them touch the signal terminals to avoid short circuit, product damage, and electric shock.

⊘ Do not touch the plugs with wet fingers, or else it will cause electric shock.

Do not use the Digital Signage in stormy weather, especially when there is lightning; instead, please disconnect the power and antenna plugs to avoid lightning strike.

⊘ Do not disassemble the device without permission, or else it may cause electric shock or fire. Please ask qualified technician for repair.

 **CAUTION**

- Keep the small parts away from children to prevent them from swallowing.
- If the device won't be used for a long time, please turn it off and pull out the power plug.
- To adjust the position of the device, please disconnect all power cords and move slowly to avoid tip over.
- Do not scratch or knock the LCD with hard object, or twist and squeeze the LCD.
- Do not turn on the unit immediately when it is moved from a place with low temperature to high temperature, or else it will cause condensation and malfunction.
- Before cleaning the device, please pull out the power plug; wipe with soft cloth; do not use industrial chemicals; prevent foreign matters from entering the machine. Improper cleaning (such as cleaning solution, water) may damage the product, erase the printed information, and even cause damage of the components if fluid flows in, resulting in machine failure.
- If the unit displays the same screen for a long time or the moving picture has fixed text or icon, it will leave ghosting on the screen and won't disappear when the unit is turned off; it is normal and isn't covered by the warranty.
- The power of the device can be cut off by pulling out the plug.
- If the LCD screen ruptures and the liquid splashes on the skin, please rinse for 15 minutes with clean water immediately, and consult your doctor.
- When the plug or coupler is used as disconnection device, it should be easy to operate the device.
- Insert the plug into the outlet properly, or else it may cause sparks and fire.
- The technical specifications printed herein and on the packaging are subject to change without prior notice. The Manual may be slightly different from actual operation, and the latter is applicable.

## Assembly and Connection

### Packing List

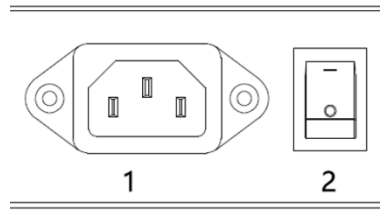
Name	
1 Device	●
1 Operation Manual	●

Name	
1 Power Cord	●
1 key (Hand Sanitizer Dispenser)	●

**Note:**

Contact local dealer if you have questions about the operation, debugging and connection of the unit; if the unit doesn't work normally, please cut off the power immediately and consult the dealer. The unit is class-A product, which may cause radio interference in living environment. In this case, please take feasible measures, and use power plug as the disconnection device.

## Interfaces

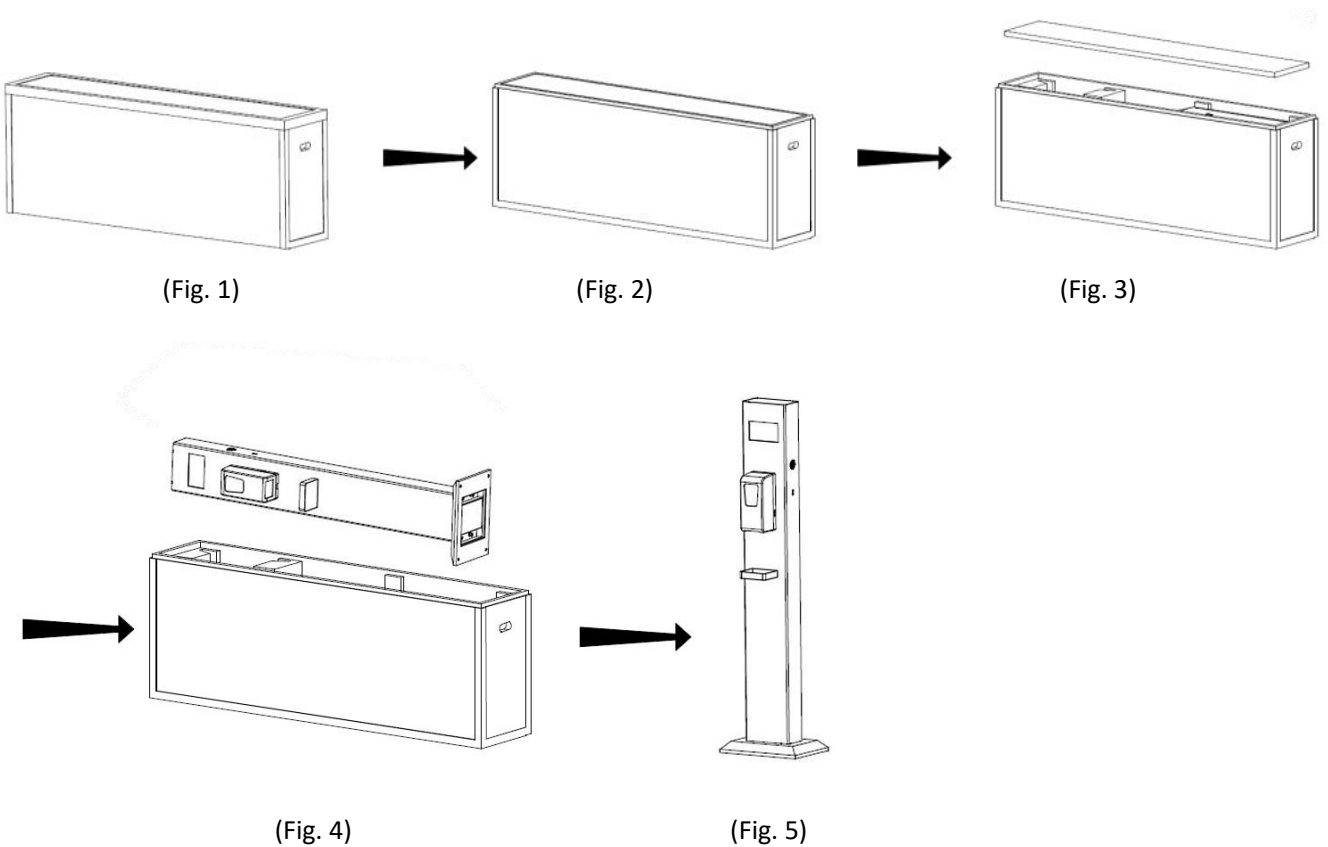


1. Power Cord Socket;
2. On/Off Switch;

Note: Please pull out the power plug before installing or disassembling the unit!

## Steps for Assembly

1. Open the top cover as shown in Fig. 2;
2. As shown in Figure 3, the EPE is removed;
3. Carefully lift out the unit as shown in Fig. 4;
4. Stand the machine upright, as shown in Figure 5.



## Description of Basic Operation

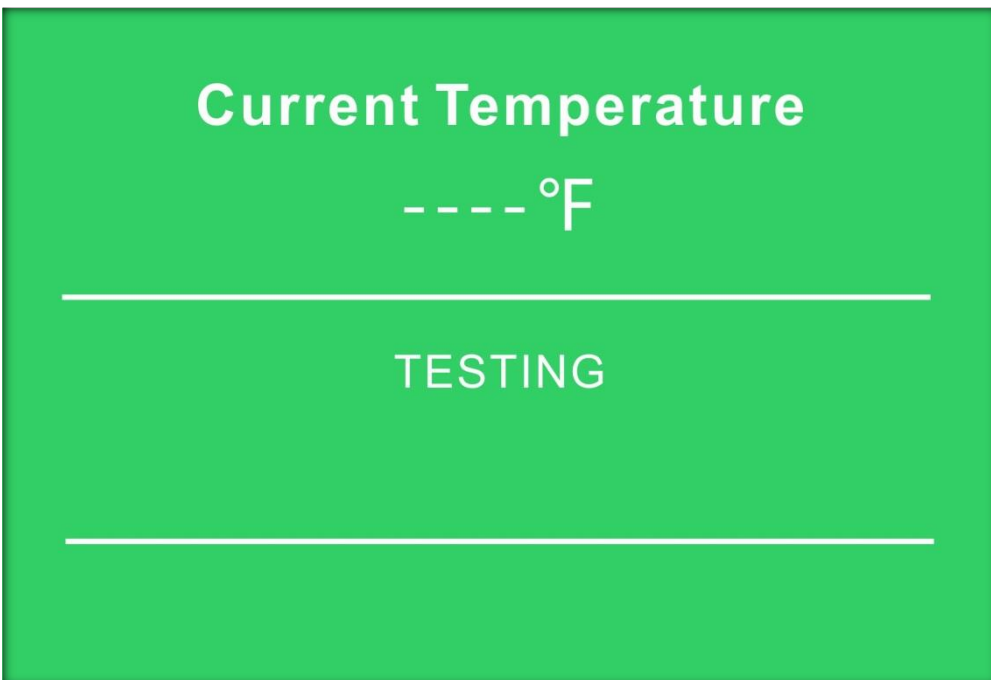
### Power on/ off

Insert the power plug into the outlet. Press the ON/OFF switch to “I” to turn the unit on;

### Launch Screen



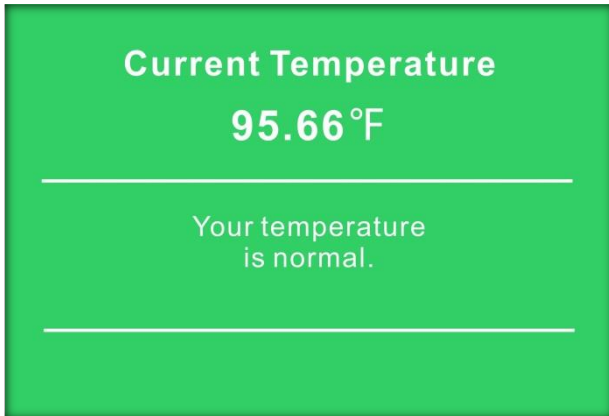
### Screen displays after power on



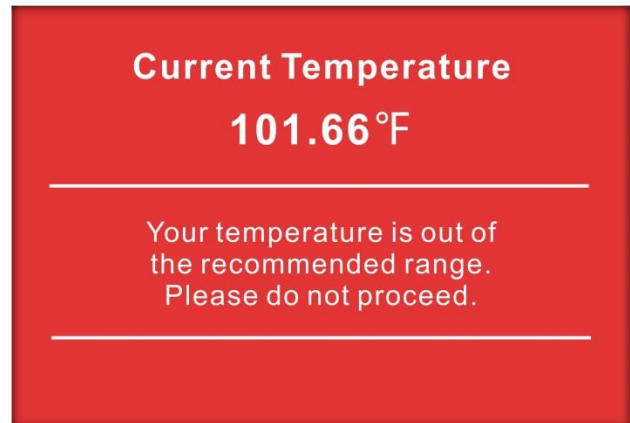


### Temperature measuring interface

1. When measuring the temperature, please measure the temperature within 3cm from the temperature sensor on the side, and align your wrist with the temperature sensor;
2. When body temperature is normal, it will be displayed in green with voice and text prompts, as shown in Figure 1;
3. When the body temperature is abnormal, it will be displayed in red, with voice and text prompts, as shown in Figure 2;



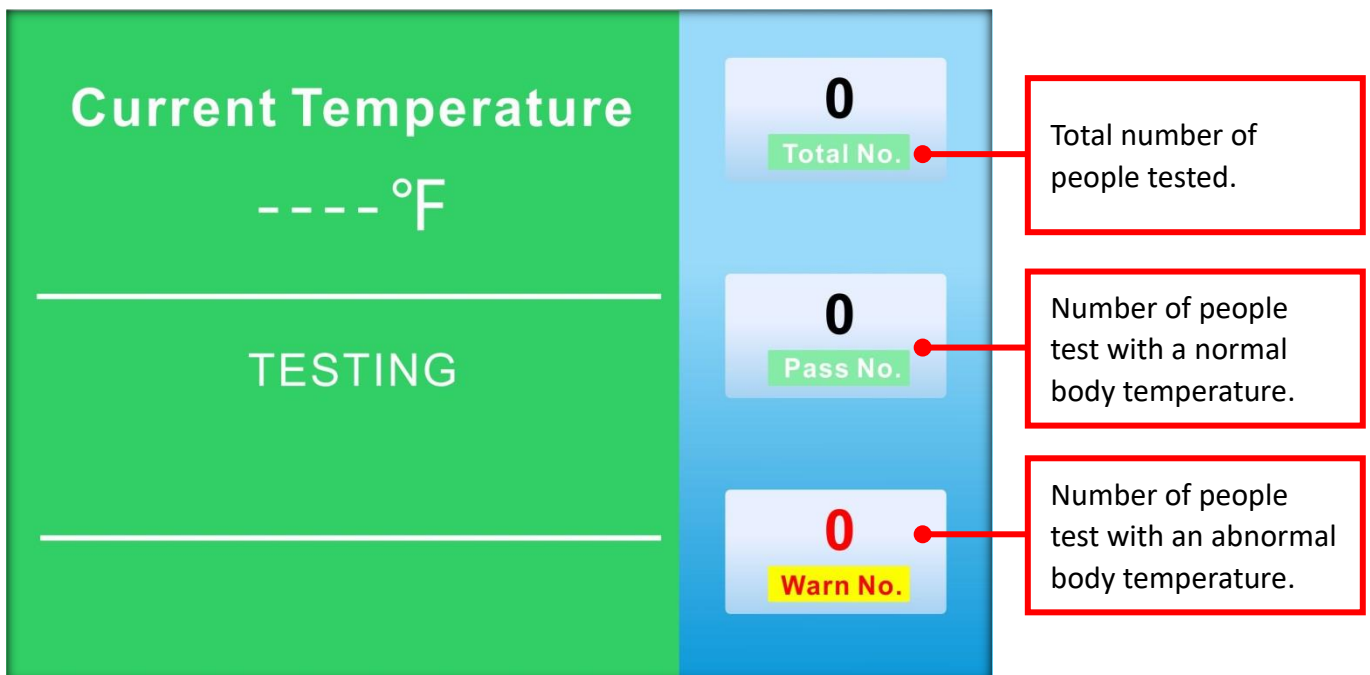
(Fig. 1)



(Fig. 2)

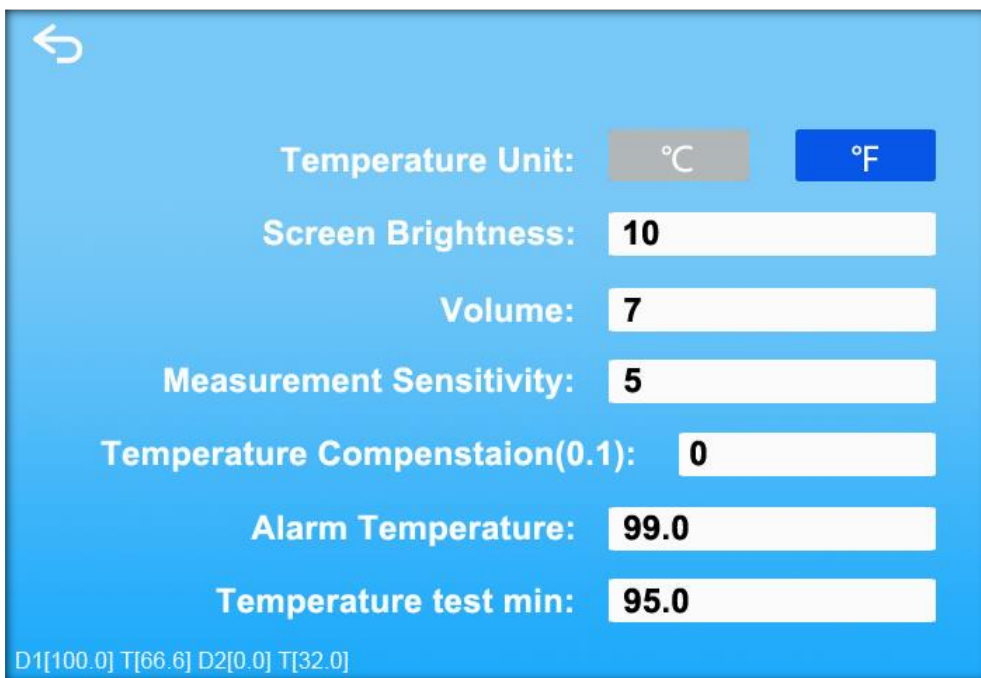
### Data interface

1. After power on, the measured data resets to "0", as shown in the figure below;
2. After the device is turned off, all traffic data will be cleared automatically.



### Parameter setting interface

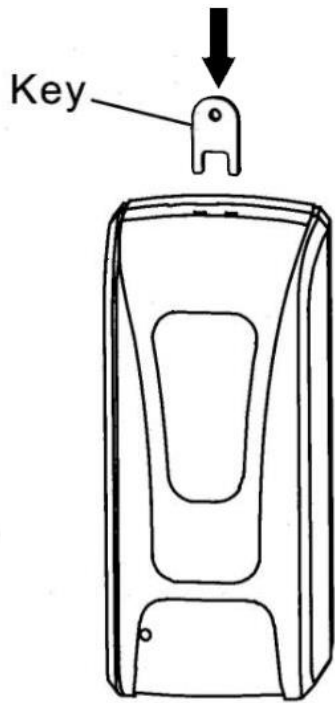
Temperature Unit:	"°C" is the Centigrade option; "°F" is the Fahrenheit option, and the following image interface is the Fahrenheit interface state;
Screen Brightness:	Screen brightness setting, minimum brightness: 1; maximum brightness: 10;
Volume:	Volume Setting
Measurement Sensitivity:	Sensor sensitivity setting
Temperature Compensation (0.1):	Temperature compensation setting
Alarm Temperature:	Maximum temperature setting
Temperature test min:	Minimum temperature setting



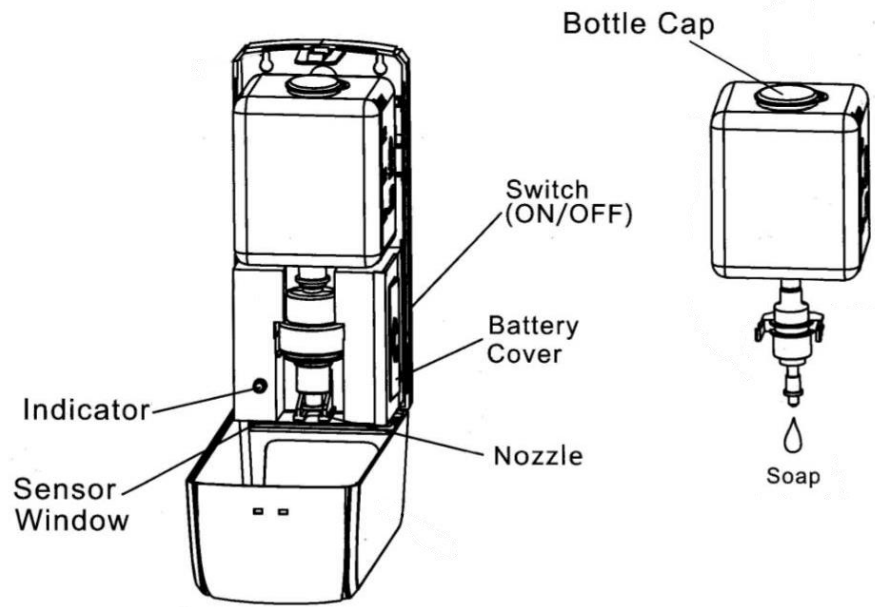
# Automatic Hand Sanitizer Dispenser

## Open the front cover

Use the key in the accessory bag. Insert into the keyhole on the top of the unit and slightly press downward to open the cover. See below:



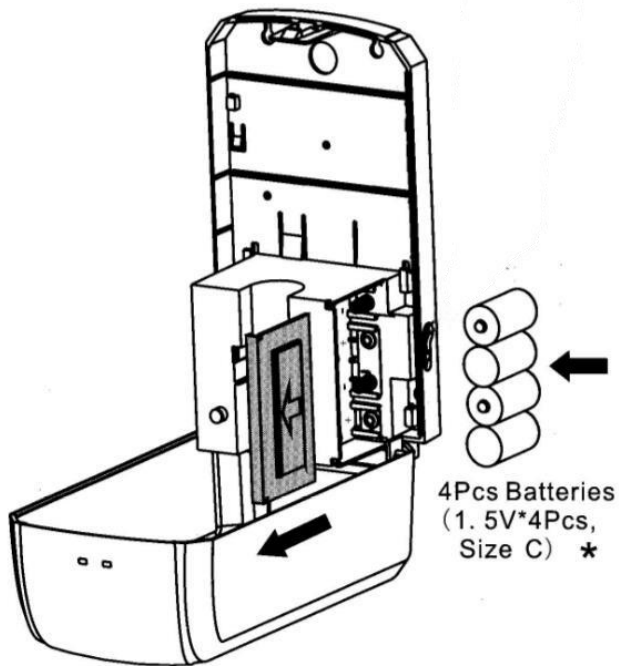
## Part name



## Battery installation

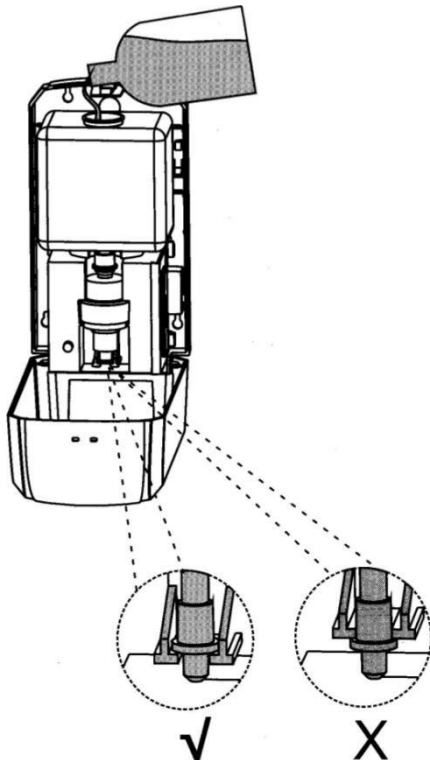
Four 1.5V batteries, type C or No. 2, are required.

NOTE: Batteries are not included.



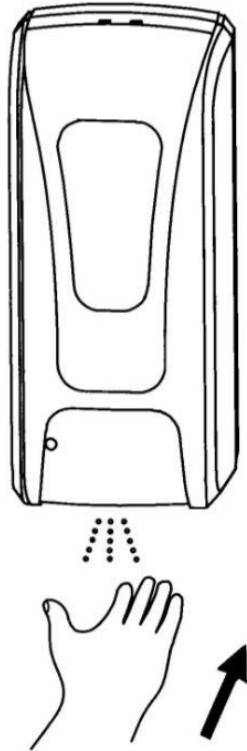
## Refill hand sanitizer

1. The bottle in the container can be refilled. Gel Hand Sanitizer can be poured into the bottle directly. Before refill hand sanitizing liquid, make sure the nozzle is not at dispensing position.
2. Refill the container with hand sanitizer gel.



### Indicator status prompt

1. Green light flush every 5 seconds: working condition.
2. Red light flush every 5 seconds: battery is low, please change batteries.
3. Red light flush every 2 seconds: the sensor is blocked, please remove the object.



## Technical Specifications

	ITEM	SPECIFICATION
Panel	LCD size	7"
	Light source	LED backlight
	Resolution	800*480 (pixels)
	Refresh rate	60Hz
	Viewable area	154.1(H) mm * 85.9(V) mm
	Chromaticness	16.7M
Power supply	Voltage	100V~240V, 50-60Hz
	Power Consumption	≤20W
Environment	Operating temperature (°C)	15~30°C
	Operating humidity	85% RH Non-condensing
	Maximum operating time (hrs/day)	18 hours
Functions	Operating system	Linux
	Touch support	Single point capacitive touch
Temperature measurement	Temperature measurement error	±0.5 °C (indoor temperature)
	Specific mode	±0.3 °C (constant room temperature)
Structure	Net weight	22kg
	Gross weight	35kg
	Unit dimensions (W*D*H)	400*120*1600mm
	Package dimensions (W*D*H)	≈1750*460*530mm
	Shell material	Steel
	Shell color	White
Language	OSD	English

Troubleshooting the Device –DGTEMPSCN		
Issue	Probable Cause	Solutions
● No display or sound	<ul style="list-style-type: none"> <li>➤ Unit not plugged into wall outlet</li> <li>➤ Power cord not properly connected to the terminal on the back of the unit.</li> <li>➤ Unit not powered on</li> <li>➤ Wall outlet not working</li> </ul>	<ul style="list-style-type: none"> <li>□ Check that the unit is plugged into wall outlet.</li> <li>□ Confirm that the power cord is connected to the terminal on the back of the unit.</li> <li>□ Turn the on/off toggle switch located on the back of the unit, lower center, to the “on” position.</li> <li>□ Unplug unit, wait 20 seconds, plug unit back into outlet and try again.</li> <li>□ Make sure that outlet is working by plugging in a different electrical device.</li> <li>❖ <b>If all of the above have been checked and the issue is not resolved, contact a customer service representative.</b></li> </ul>
● No sound (but display is working)	<ul style="list-style-type: none"> <li>➤ Speakers do not work.</li> </ul>	<p>Unplug unit, wait 20 seconds, plug unit back into outlet and try again.</p> <ul style="list-style-type: none"> <li>❖ <b>If all of the above have been checked and the issue is not resolved, contact a customer service representative.</b></li> </ul>
● No display (but sound is working)	<ul style="list-style-type: none"> <li>➤ Screen damaged or defective.</li> </ul>	<ul style="list-style-type: none"> <li>□ Unplug unit, wait 20 seconds, plug unit back into outlet and try again.</li> <li>❖ <b>If all of the above have been checked and the issue is not resolved, contact a customer service representative.</b></li> </ul>
● Parts missing or Damaged	<ul style="list-style-type: none"> <li>➤ Parts missed during manufacturing. (No charge for replacements)</li> <li>➤ Parts lost or damaged by the customer. (There is charge for replacements)</li> </ul>	<ul style="list-style-type: none"> <li>❖ <b>Contact a customer service representative.</b></li> </ul>

## Cleaning and Maintenance

1. Avoid strong vibration or impact on the product.
2. Keep the product dry to avoid possible damage by moisture.
3. Don't place the product under direct sunlight which may shorten the service life of the screen.
4. Clean screen and product by using a glass cleaner.
5. If the product will not be used for a long time, pull out the power cord to prevent the internal short circuit or other potential dangers.

## Names and Contents of Toxic and Hazardous Substances or Elements in the Product

Part name	Toxic and hazardous substances or elements					
	Pb	Hg	Cd	Cr <sup>6+</sup>	PBB	PBDE
Display		O	O	O	O	O
Shell	O	O	O	O	×	×
Circuit board assembly *		O	O	O	O	O
Wires	O	O	O	O	O	O
Metal parts	O	O	O	O	O	O
Packaging materials*	O	O	O	O	O	O
Remote control		O	O	O	O	O
Speaker		O	O	O	O	O
Accessories*	O	O	O	O	O	O

\* : Circuit board assembly includes PCB and the electronic elements thereof;

Packaging materials include packaging box, styrofoam, etc.;

Other accessories include instruction manual.

O : the content of the toxic and hazardous substances or elements in the part is lower than the limit specified in GB/T 26572-2011 standard.

× : the content of the toxic and hazardous substances or elements in the part is higher than the limit specified in GB/T 26572-2011 standard.

The table shows that the machine contains harmful substances inside. The data is provided by material suppliers and verified by the company according to the material type. Some materials contain harmful substances that can't be replaced in present technology. We are dedicated to improving this.

The EFUP of the product is ten years. The pollution control label is shown on the right. 

The EFUP is valid only when the user operates in the normal conditions specified in the manual herein.

### **Waste Electrical and Electronic Products Recycling and Disposal Regulations**

To protect the earth, if you do not need this product or its service life expires, please abide by your local **Waste Electrical and Electronic Products Recycling and Disposal Regulations** or send it to qualified local manufacture for recycling.

This Manual is for reference only and is subject to change without prior notice.